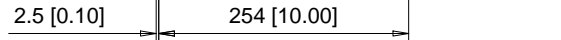


(4) Mounting Holes for M6 [1/4"] Screws. See Detail A for top mounting hole dimensions.

Note: Spreader bar required to avoid damage during lifting

(4)-Lifting Holes Ø20 [Ø0.79]

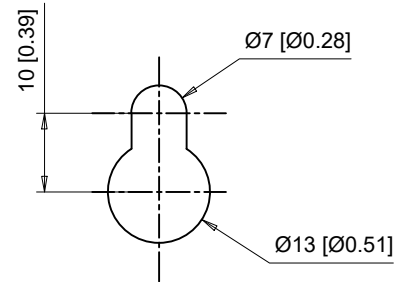
Nameplate



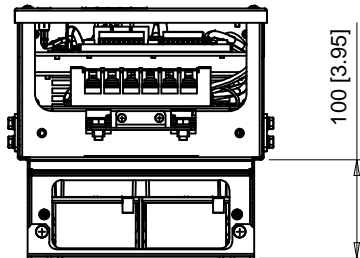
Cooling fan location

Air

Air



Detail A
Top mounting hole dimensions
Scale 1:1



C/C: SPBC-	INPUT VOLTAGE 1-PHASE (VAC)	OUTPUT CAPACITY (kW)	WEIGHT Kg (lb)	COOLING FANS	HEAT LOSS (W)		
					INT	EXT	TOT
2015□□□	230 TO 240	15	18 (39.7)	2	125	352	477
2022□□□		22	18 (39.7)	2	156	539	695
4022□□□	460 TO 480	22	17 (37.5)	2	115	389	504
4030□□□		30	17 (37.5)	2	141	504	645

□ denotes A-Z

INT=Internal Components
EXT=External Heatsink
TOT=Total

YASKAWA

UNITS MM [IN]
SCALE 1:8

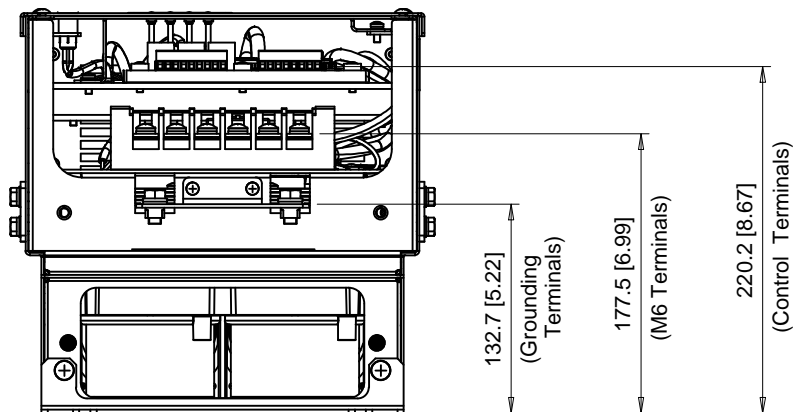
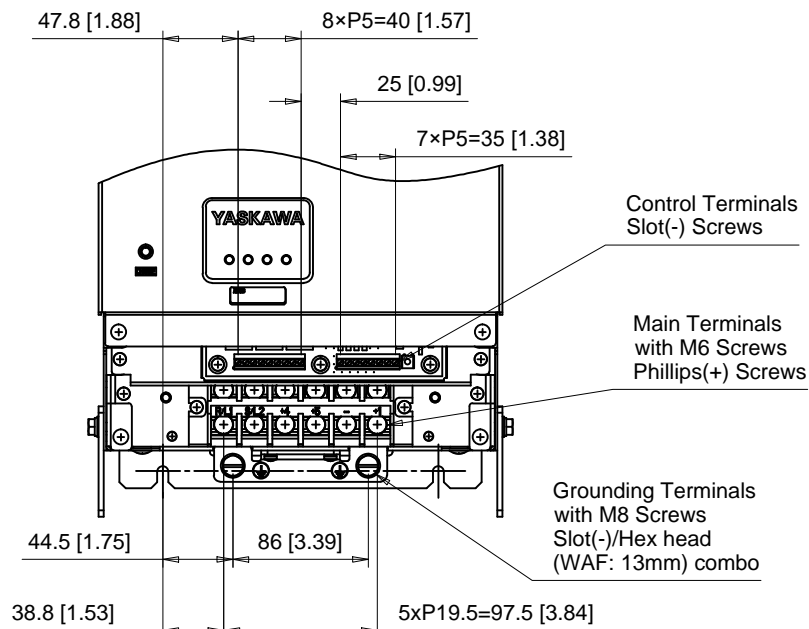
DRWN. J. MATTAS 8-2-17
CHKD. J. PIOTROWSKI 11-2-17
TECH. L. UDDIN 11-14-17
APRV. J. CAIRO 11-29-17

TITLE
SPBC DIMENSION DRAWING
FRAME SIZE 1
IP00 ENCLOSURE

SIZE A PAGE 1 OF 4
DWG.NO. DD.SPBC.FR1.IP00

REV 0

Terminal and Wiring Information for SPBC-2015, SPBC-4022 and SPBC-4030



C/C: SPBC-	TERMINAL SYMBOL	WIRE RANGE AWG (mm ²)	TERMINAL SCREW	CLAMPING TORQUE N.m. (lb.in.)
2015□□□	R/L1, S/L2, +4, +5, -, +1	22 - 2 (0.33 - 33.6)	M6	5.4 - 6.0 (47.8 - 53.1)
4022□□□			M8	9.0 - 11.0 (79.7 - 97.4)
4030□□□	⊕	8 - 6 (10 - 16)		

□ Denotes A-Z

Note: Refer to applicable codes and standards for proper wire type and size.

YASKAWA



UNITS MM [IN]

SCALE 1:5

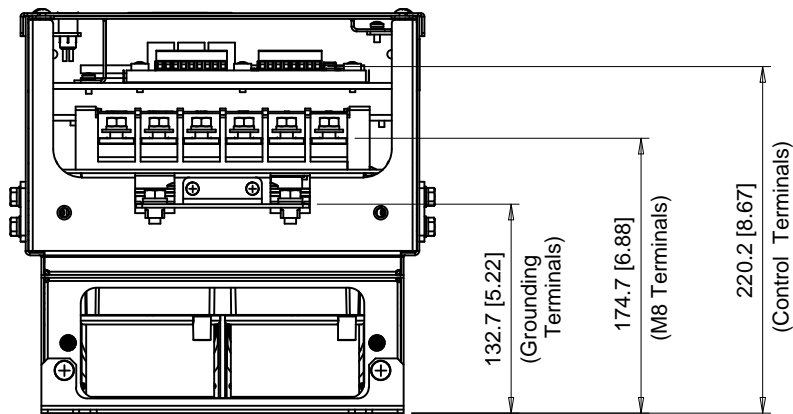
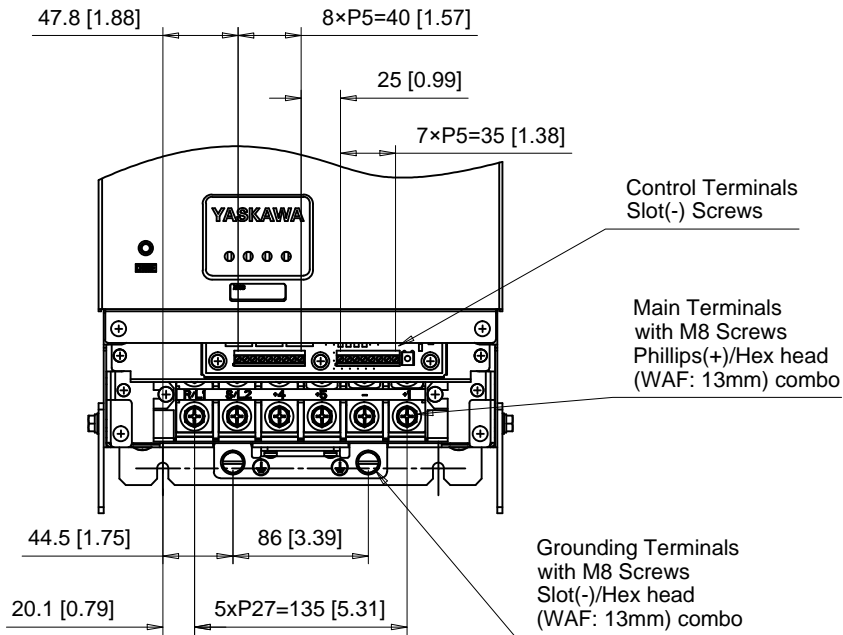
DRWN.	J. MATTAS	8-2-17
CHKD.	J. PIOTROWSKI	11-2-17
TECH.	L. UDDIN	11-14-17
APRV.	J. CAIRO	11-29-17

TITLE
SPBC DIMENSION DRAWING
FRAME SIZE 1
IP00 ENCLOSURE

SIZE A PAGE 2 OF 4
DWG.NO.
DD.SPBC.FR1.IP00

REV
0

Terminal and Wiring Information for SPBC-2022



C/C: SPBC-	TERMINAL SYMBOL	WIRE RANGE AWG (mm ²)	TERMINAL SCREW	CLAMPING TORQUE N.m. (lb.in.)
2022□□□	R/L1, S/L2, +4, +5, -, +1	8 - 2/0 (8.4 - 67.4)	M8	9.0 - 11.0 (79.7 - 97.4)
	⊕	4 (25)	M8	9.0 - 11.0 (79.7 - 97.4)

□ Denotes A-Z

Note: Refer to applicable codes and standards for proper wire type and size.

YASKAWA

UNITS MM [IN]
SCALE 1:6

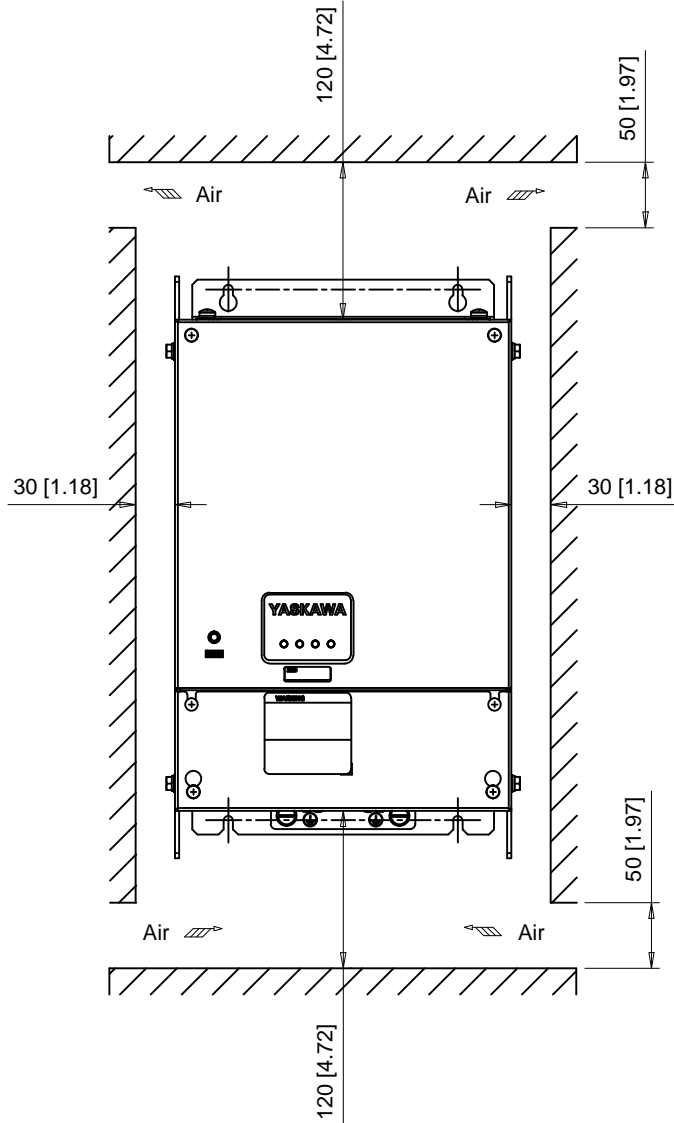
DRWN. J. MATTAS 8-2-17
CHKD. J. PIOTROWSKI 11-2-17
TECH. L. UDDIN 11-14-17
APRV. J. CAIRO 11-29-17

TITLE
SPBC DIMENSION DRAWING
FRAME SIZE 1
IP00 ENCLOSURE

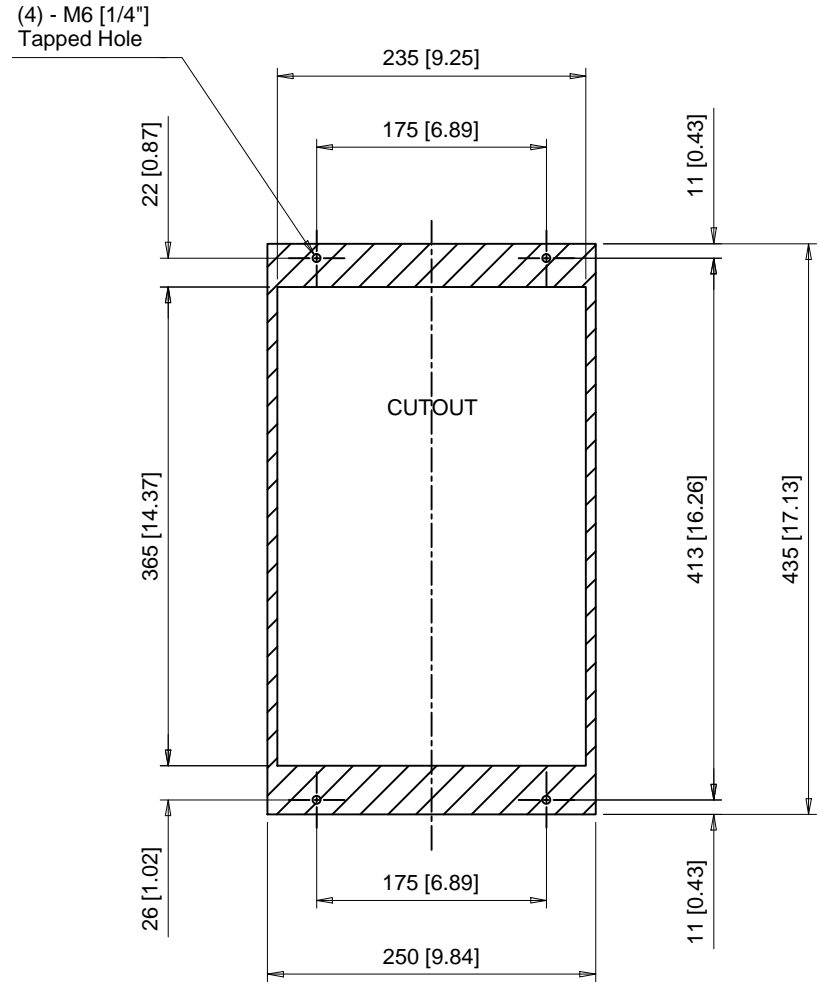
SIZE A PAGE 3 OF 4
DWG.NO.
DD.SPBC.FR1.IP00

REV
0

Minimum Installation Clearances



Panel Cutout
For External Heatsink Mounting Configuration



Notes:
Exposed heatsink minimum clearance D = 105 [4.13].

YASKAWA

	UNITS	MM [IN]
	SCALE	1:6

DRWN.	J. MATTAS	8-2-17
CHKD.	J. PIOTROWSKI	11-2-17
TECH.	L. UDDIN	11-14-17
APRV.	J. CAIRO	11-29-17

TITLE	SPBC DIMENSION DRAWING
	FRAME SIZE 1
	IP00 ENCLOSURE

SIZE	A
DWG.NO.	DD.SPBC.FR1.IP00

PAGE	4 OF 4
REV	0